



RADIATION SAFETY GEAR

***Engineered for Protection,
Crafted for Comfort***



www.kennedyradiology.us



High Quality, Made in USA
X-RAY SHIELDING MATERIALS



PREMIUM FABRIC OPTIONS

KENNEDY X-PRESS LINE: OUR EXPRESS SHIPPING LINE OF HIGH QUALITY RADIATION SAFETY GEAR

- Flexback Apron
- Skirt & Vest
- Thyroid Shield
- Gloves
- Racks
- Head Shield
- Ovarian Shield
- Gonad Shield
- Eyewear



APPAREL SIZING CHART



REACH OUT TO US



High Quality, Made in USA **X-RAY SHIELDING MATERIALS**

	Lead		Leadfree	
Composition	Lead + Vinyl		Bismuth + Antimony+ Vinyl	
Flexback Apron (0.5mm LE)				
Size	Weight (lbs)	Weight (Kg)	Weight (lbs)	Weight (Kg)
Small	8.57	3.89	7.09	3.22
Medium	9.26	4.20	7.52	3.41
Large	10.19	4.62	8.38	3.80
X-Large	11.11	5.04	9.24	4.19
XX-Large	12.68	5.75	10.80	4.90
Skirt & Vest (Front: 0.5mm LE & Back: 0.25 mm LE)				
Size	Weight (lbs)	Weight (Kg)	Weight (lbs)	Weight (Kg)
Small	14.24	6.46	11.80	5.35
Medium	16.54	7.50	13.72	6.22
Large	19.10	8.66	16.32	7.40
X-Large	21.06	9.55	17.86	8.10
Protection at it's Best				
Attenuation (%)	0.125 mm LE	0.250 mm LE	0.125 mm LE	0.250 mm LE
60kVp	87%	95.7%	72.3%	90.2%
90 kVp	76.7%	89.0%	63.2%	83.7%
110 kVp	71.3%	84.5%	57.9%	79.2%
149 kVp	63.3%	78.6%	53.3%	72.4%

QUALITY ASSURED

Kennedy's X-ray Shielding Materials feature ultrafine particles of very high purity, guaranteeing top-grade quality and optimal X-ray protection.

FDA Registered Manufacturing Facility

Registration Number: 3025001668
Owner/Operator Number: 10086438

Product Compliance

IEC 61331-1:2014
IEC 61331-3:2014
ASTM-2547

Quality System

ISO 9001
ISO 13485

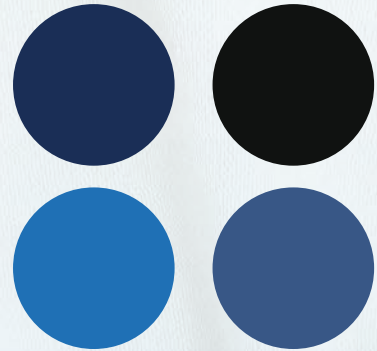


Kennedy X-Press Line Fabrics

1 Kennedy PolyProtect

- Kennedy PolyProtect is designed with user's comfort in mind
- It is comprised of plush polyester fabric with polyurethane coating

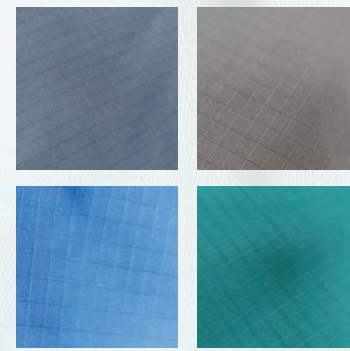
Best Selling Colours



2 Kennedy NylonProtect

- Kennedy NylonProtect is an industrial grade nylon fabric that is both durable and easy to maintain

Best Selling Colours



FEATURES



Easy to Clean and Maintain



Durable



Alkali/ Solvent Resistant



Lightweight



Water-resistant and Quick Drying



Abrasion-resistant



KENNEDY
X-PRESS LINE
RADIATION PROTECTION APPAREL



READY FOR IMMEDIATE SHIPMENT



FREE DELIVERY ACROSS USA



HASSLE FREE RETURNS



QUALITY & SAFETY ASSURED



FDA

1 Flexback Apron

Kennedy's Flexback Aprons offer complete frontal protection from ionizing radiation. It is effortless to put on and the criss-cross back incorporates elastic, also known as "flex," to provide additional lumbar support.

X-ray Shielding Material Options: Lead or Leadfree

Protection: 0.50 mm LE

Premium Fabric Options: Kennedy PolyProtect or Kennedy NylonProtect

Recommended For: Interventional Radiology and Orthopedic Procedures



Available Colors



FEATURES

- **Flex Back:** It helps promote proper posture and alleviates discomfort during extended periods of use
- **Anti-skid Shoulder Pads:** It offers additional comfort by reducing stress and ensuring a more enjoyable and a less physically taxing experience
- **Velcro Closure:** It can be easily adjusted for a snug and secure fit, providing added convenience and versatility



2 Skirt & Vest

Kennedy's Skirt & Vest is a two-piece solution that enables proper weight distribution. The Vest overlaps the Skirt up to 6 inches for additional lower body protection.

X-ray Shielding Material Options: Lead or Leadfree

Protection: 0.50 mm LE (Front) | 0.25 mm LE (Back)

Premium Fabric Options: Kennedy PolyProtect or Kennedy NylonProtect

Recommended For: Cath Labs, Interventional Radiology, Cardiology and Urology Procedures



Available Colors



FEATURES

- **Back-cut Design:** It allows enhanced mobility and flexibility during use
- **Anti-skid Shoulder Pads:** It offers additional comfort by reducing stress and ensuring a more enjoyable and a less physically taxing experience
- **Velcro Closure:** It can be easily adjusted for a snug and secure fit, providing added convenience and versatility

3 Thyroid Shield



Available Colors



Kennedy's Thyroid Shields offer protection from scatter radiation by reducing radiation exposure to the thyroid gland, which is highly sensitive and can lead to radiation-induced cancers.

X-ray Shielding Material Options: Lead or Leadfree

Protection: 0.50 mm LE

Premium Fabric Options: Kennedy PolyProtect or Kennedy NylonProtect

Recommended For: X-ray Imaging, CT Scans, Fluoroscopy & Dental X-rays

FEATURES

- **User-Friendly Design:** It guarantees a comfortable and secure fit which allows you to focus on your patients
- **Supreme Comfort:** It is flexible which enables natural range of motion and maximum comfort, making it the perfect choice for medical procedures

4 Head Shield



Kennedy's Head Shields provide effective protection against scatter radiation by reducing exposure to the brain and other highly sensitive tissues.

Protection: 0.25 mm LE

Recommended For: All Interventional Procedures

- **Universal Compatibility:** It is easy to attach to all apron variants, ensuring a hassle-free and streamlined experience
- **Closure Options:** It is versatile and is available in Velcro and Magnetic closures which enables secure fit

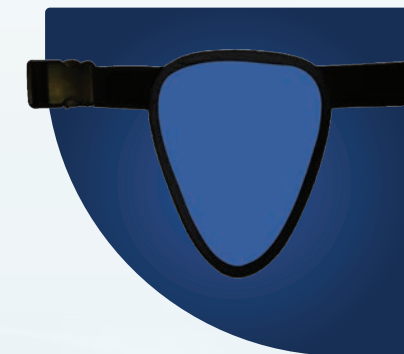
5 Gonad Shield

Kennedy's Gonad Shield is used to protect reproductive organs from scatter radiation, thus minimizing the risk of harmful effects on fertility and reproductive health.



6 Ovarian Shield

Ovarian Shields are particularly important for women of reproductive age as the ovaries are highly sensitive to radiation and exposure can lead to infertility or other long-term health issues. Kennedy's Ovarian Shield provides optimum protection when used during X-ray imaging without obstructing the X-ray image quality.



X-ray Shielding Material Options: Lead or Leadfree

Protection: Gonad Shield - 1.00 mm LE , Ovarian Shield - 1.00 mm LE

Premium Fabric Options: Kennedy PolyProtect or Kennedy NylonProtect

Recommended For: X-ray Imaging

Available Colors



FEATURES

Ultimate Comfort: It is flexible and features an adjustable belt which enables customized fit





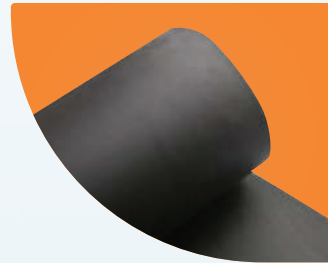
Our Customization Options

Customization Options



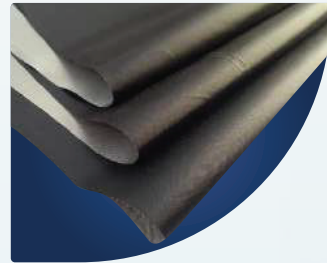
Core Material

Lead | Lead free |
Lightweight Lead



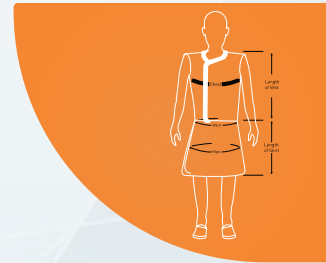
Level of Protection (mm LE)

0.25 | 0.35 |
0.50



Get the Right Size

XS to XXL



Wide Range of Colours & Fabric



PU Coated Solid Fabric

- Green
- Yellow
- Pink
- Tangerine
- Red
- Royal Blue
- Sky Blue
- Black
- Navy Blue
- Lavender
- Plum
- Grey

Print

- Camo
- Flowers
- Skulls
- Bones
- Panther

Diamond

- Red Ripstop
- Blue Ripstop
- Black Ripstop

Tested and Complies with
IEC 61331-1:2014 &
ASTM F2547



Insert your Organization

Name or Logo



Additional Accessories

Lumbar Belt | Thyroid Shield |
Gonad & Ovarian Protectors | Others



Frontal Apron with Integrated Thyroid Collar



Frontal Apron with Snaplock

Frontal Apron with Front Snaplock

Frontal Apron with Back Snaplock



Complete Front Protection in mmLE:
0.25, 0.35 & 0.5

Core Material:
Lead, Lightweight Lead & Lead free

Material Type:
Biocompatible & Antimicrobial

Complete Front Protection in mmLE:
0.25, 0.35 & 0.5

Core Material:
Lead, Lightweight Lead & Lead free

Material Type:
Biocompatible & Antimicrobial

**Two Piece Apron (Skirt & Vest)
Partial frontal protection**



**Complete Front
Protection in mmLE:**
0.25, 0.35 & 0.5

Core Material:
Lead, Lightweight Lead
& Lead free

Material Type:
Biocompatible &
Antimicrobial



**Two Piece Apron (Skirt & Vest)
Complete Frontal Protection**



**Complete Front
Protection in mmLE:**
0.25, 0.35 & 0.5

Core Material:
Lead, Lightweight Lead
& Lead free

Material Type:
Biocompatible &
Antimicrobial

Adjustable belt
for lumbar
support



Wrap Around Apron (Partial Protection)

Wrap Around Apron (Complete Protection)



Side slit for better mobility

Snap lock for comfortable fit



Complete Front Protection in mmLE:
0.25, 0.35 & 0.5

Core Material:
Lead, Lightweight Lead & Lead free

Material Type:
Biocompatible & Antimicrobial



Lumbar Support



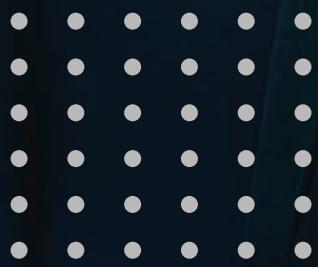
Complete Front Protection in mmLE:
0.25, 0.35 & 0.5

Core Material:
Lead, Lightweight Lead & Lead free

Material Type:
Biocompatible & Antimicrobial



***Protective
Accessories***



Radiation Protection Gloves

Radiation resistant gloves are often used to offset the risk of scatter beam radiation exposure during fluoroscopy, cardiac Cath lab and electrophysiology lab procedures. The negative effects of scatter beam radiation exposure to the physicians and assistants can be offset by use of radiation gloves.

Powder-Free Radiation Attenuating Gloves provide increased protection from direct X-ray beam and scattered radiation, and reduce harmful radiation exposure during any procedure.



Comfort



Protection



Grip

X-Ray Protective Leaded Gloves

Made of soft, pliable material, Kennedy gloves are non-sterile, protective, comfortable, and usable.

Duo

Our dual-layered glove have a seamless external covering and an internal lining, all of which can be dismantled and cleaned.

The lead positioning glove is mainly used in patient or veterinary positioning during fluoroscopic procedures or imaging. The flexible, lead glove is ideal for high radiation exposure procedures and calibrated for direct beam radiation exposure.

The glove is a leatherette covered leaded gloves; soft and flexible and easily washable.

Measured with narrow as well as inverse broad beam geometry condition at 150 KVp, in accordance with EN 61331-1:2014 & EN 61331-3-2014

Ideal for Proper positioning in Veterinary & Pediatric X-Ray

Lead Equivalent thickness in mm Pb : 0.50



Mittens

Mittens, one of our bestsellers, allows wearers the mobility of using their bare hands directly in beam field, thanks to protective mitten design and snug internal strap.

This lead glove has a lead protection for the top part of your hand and a slit on the bottom to allow for gripping.

Measured with narrow as well as inverse broad beam geometry condition at 150 KVp, in accordance with EN 61331-1:2014 & EN 61331-3-2014

Ideal for Technicians hand protection during intervention cardiology procedures

Lead Equivalent thickness in mm Pb : 0.25 / 0.35 / 0.50

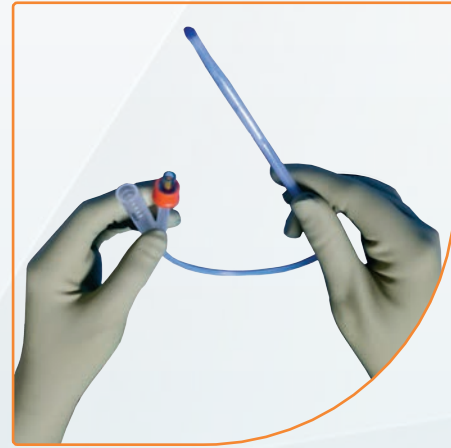


Sterile Lead Free Radiation Protection Gloves

Kennedy offers a wide range of sterile Lead-Free and disposable radiation protection gloves that provide the highest possible protection in surgical procedures and are easy to dispose in an eco-friendly manner.

Produced at our independent sterilization facility, each glove is subjected to rigorous contamination control and is 100% sterilized using the latest gamma sterilization equipment and complies with International quality standards.

Powder-Free Radiation Attenuating Gloves provide increased protection from direct x-ray beam and scattered radiation, and reduce harmful radiation exposure during any procedure.



Max



Ideal for use in
Fluoroscopy / Orthopaedic /
Urology Procedures

Cathlab Pro



Ideal for use in
Interventional
Cardiology
Procedures

Latex-free



Ideal for use in
Interventional
Cardiology Procedures



Proprietary hypoallergenic formulation for complete protection



Micro-textured external surface for superior grip



Flexible & Powder free material for comfort & durability



Composed of a Proprietary mixture of Lead-free elements, making them safe for the environment and for users



Multiple Lead Equivalence & thickness options for various Clinical applications



Easily disposable material for one-time use

CHARACTERISTICS

Technical Parameters	Max NXP35	Cathlab Pro CNXP20	Latex-free SXP20
Finger tip thickness (mm/mils)	Min. 0.35	Min. 0.20	Min. 0.25
Palm thickness (mm/mils)	Min. 0.32	Min. 0.19	Min. 0.24
Cuff thickness (mm/mils)	Min. 0.30	Min. 0.18	Min. 0.22
Lead equivalence (mm Pb)	Min. 0.04	Min. 0.02	Min. 0.25
Color	Khaki	Yellow	Brown
Material	Natural Latex with hypoallergenic inner coating		Synthetic Latex
Tensile strength (MPa)	Min 14		
Minimum elongation (%)	700		
Protective material	Mixture of Lead-free elements		
Donning agent	Powder Free		
Azo dyes	None		
Residual powder	≤2mg/glove		
Protein content	Less than 50 micrograms/gram		
Sterilization	Gamma sterilization		
Packing	One sterile pair per pouch		
Storage	Store in cool, dry place away from Ozone (Below 25°C) 40-50% RH		

SPECIFICATIONS

Size	Minimum Length (mm/inches)	Palm Width (mm/inches)
6	280/11.0	78/3.1
6.5	280/11.0	80/3.1
7	280/11.0	85/3.3
7.5	280/11.0	94/3.7
8	280/11.0	100/3.9
8.5	280/11.0	107/4.2
9	280/11.0	114/4.5

% ATTENUATION AS PER ASTM-2547-18

Radiation Beam Energy Level	Skin Dose Reduction	
	Max NXP35	Cathlab Pro CNXP20
60kV	55%	39%
70kV	50%	35%
80kV	45%	32%
90kV	41%	29%

Radiation Beam Energy Level	Skin Dose Reduction	
	Max NXP35	Cathlab Pro CNXP20
100kV	39%	27%
110kV	36%	25%
120kV	35%	24%
130kV	33%	22%



Eyewear

Radiation Protection Eyewear

Kennedy Radiation Protection Eyewear exemplifies the perfect synthesis of safety, craftsmanship, and sophistication. Each pair is meticulously handcrafted from premium Cellulose Acetate, renowned for its rich texture, superior comfort, and enduring elegance ensuring a refined aesthetic without compromising durability. These artisanal frames are fitted with precision-cut lenses expertly crafted from Corning® Med-X® glass blanks, offering exceptional optical clarity and clinically validated protection against ionizing radiation. Designed for professionals who demand both uncompromising performance and timeless style, Kennedy eyewear represents a new standard in protective vision, where function meets finesse.



Lightweight & Comfortable

Ease of wearing for extended duration

Leaded Glass

LE - 0.75mmPb at 120kV

Handcrafted Elegant Acetate Frames

Precision-Cut Lenses
Made from Corning Med-X® Glass blanks

We offer four variants in Radiation Protection Eyewear: **Front, Fit Over, Aviator, Max 30 and Front & Side**. These frames are made with Cellulose Acetate.

WHY CELLULOSE ACETATE IS THE DEFINITIVE CHOICE FOR LUXURY EYEWEAR?

- **Unparalleled Aesthetic Depth** Crafted from natural fibres, cellulose acetate offers rich, multi-dimensional colors and exquisite patterns, far beyond the synthetic, uniform look of TR90 or the stark simplicity of metal
- **Naturally Derived, Consciously Luxurious** Made from renewable cotton and wood pulp, acetate is a biodegradable material that aligns with modern sustainability values without compromising on sophistication.simplicity of metal
- **Hypoallergenic Elegance** Free from harsh synthetics and allergenic metals like nickel, premium acetate is exceptionally gentle on the skin, ideal for all-day wear without irritation
- **Luminous Finish & Texture** The polished surface of acetate carries a luminous, glass-like sheen and silk-like touch that exudes craftsmanship and refinement qualities that TR90 and metal frames simply lack
- **Temperature-Neutral Comfort** Acetate does not conduct heat or cold like metal, providing superior comfort in all climates, a detail that discerning users instantly appreciate
- **Hand-Crafted Sculptability** Acetate frames are hand-polishable and thermally adjustable, allowing master artisans to fine-tune each piece to perfection, something injection-moulded TR90 or rigid metals cannot replicate
- **Lightweight with a Balanced Heft** Acetate strikes the perfect equilibrium between feather light comfort and a reassuring tactile presence, offering the wearer a sensation of understated luxury
- **Structural Integrity Over Time** Unlike flexible TR90 that may lose shape or metals that fatigue, acetate maintains its form and luxurious feel over years of use, ensuring enduring elegance
- **Infinite Customization Possibilities Consciously Luxurious** From bold translucent hues to layered color gradients and embedded textures, acetate allows a level of design freedom unmatched by TR90's mold limitations or metal's rigidity sophistication understated luxury
- **Symbol of Prestige** Used by heritage eyewear maisons and couture brands, acetate is widely recognized as the signature material of high-end, artisanal eyewear

ADVANTAGES OF PRECISION-CUT LENSES MADE FROM CORNING MED-X® GLASS BLANKS



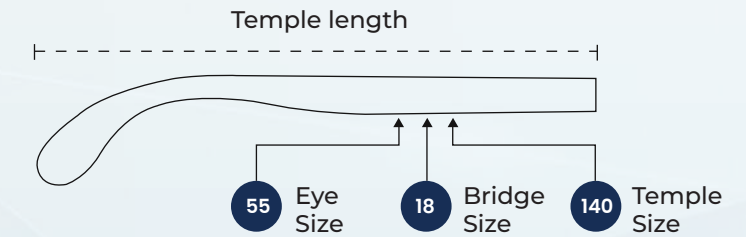
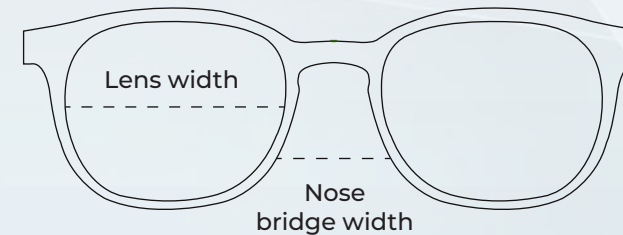
- **Unmatched Radiation Protection** Delivers superior attenuation of ionizing radiation, offering robust protection for medical and industrial imaging professionals
- **Optical Clarity with Zero Distortion** Manufactured to exacting tolerances, ensuring crystal-clear vision without optical aberrations—critical for prolonged diagnostic or procedural use
- **High Density, Low Thickness Design** Enables excellent radiation shielding at reduced lens thickness, resulting in lighter eyewear without compromising safety
- **Exceptional Durability and Scratch Resistance** Corning's proprietary glass formulation provides long-term surface integrity, preserving visual performance over years of daily use
- **Chemically Stable and Non-Yellowing** Maintains transparency and optical quality even after repeated sterilizations or extended UV exposure
- **Precision Engineering for Custom Applications** Supports custom shapes, bevels, and prescriptions with high dimensional accuracy for tailored frame integration

Wide range of Eyewear

Ref# PA0290T

Front Eyewear

- Provides full frontal protection from ionizing radiation
- Includes adjustable fabric based straps to keep your eyewear securely in place
- Fits Medium to Large faces
- Wide and Square for enhanced protection



Lead Equivalence:

0.75 mm Pb

Colors



Classic Havana
Amber



Classic Havana
Honey



Obsidian
Black

Weight:

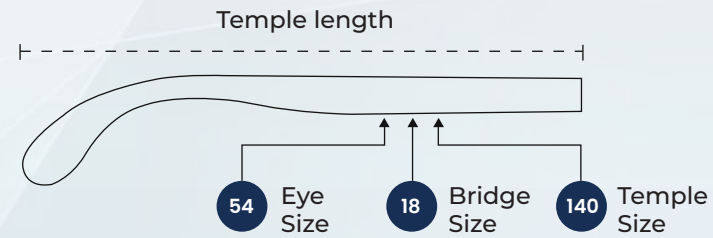
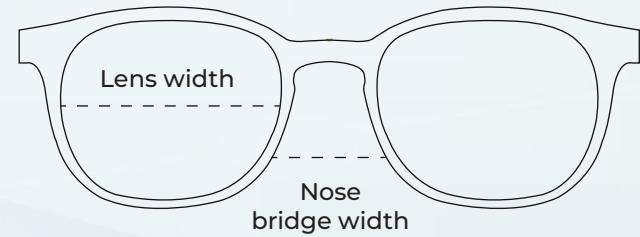
31g (Only Frame)
81g (Frame + Lens)

Aviator

Ref# EWAV

Wrap-a round style eyeglasses with protection & stylish design

- Offers complete frontal and lateral protection against ionizing radiation
- Comes with removable fabric based straps to keep eyewear in place
- Fits Medium to Large faces
- Standerdized Aviator - Wide Temple



Lead Equivalence:

Front - 0.75 mm Pb
Side - 0.35mmPb



Classic Havana
Amber



Classic Havana
Honey



Obsidian
Black

Weight:

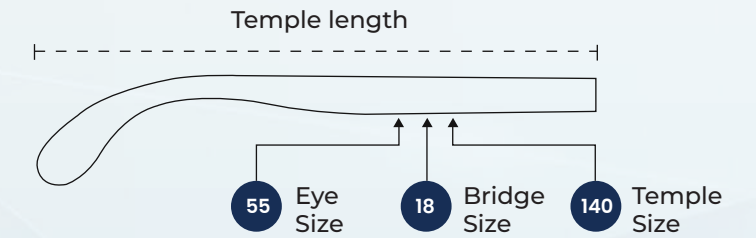
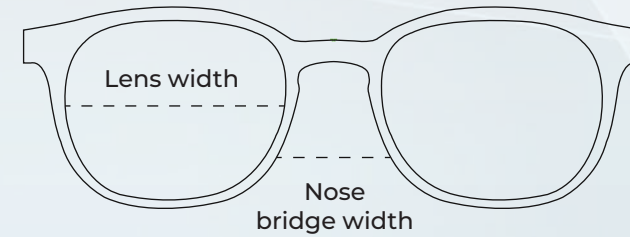
25g (Only Frame)
85g (Frame + Lens)

Max 30

Ref# EWM30

Unisex models that fits all faces & shapes

- Provides complete frontal protection against ionizing radiation
- Includes adjustable fabric based straps to keep your eyewear securely in place
- Fits Medium to Large faces



Lead Equivalence:

0.75 mm Pb



Classic Havana
Amber



Classic Havana
Honey



Obsidian
Black

Weight:

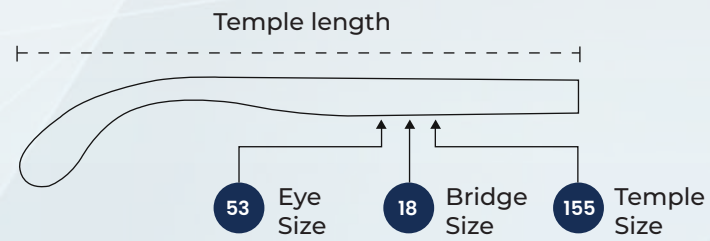
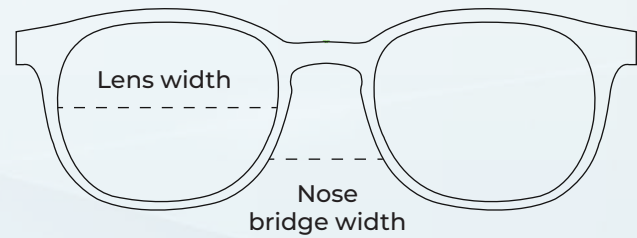
38g (Only Frame)
78g (Frame + Lens)

Front & Side

Ref# PGB289T

Protection from frontal as well as Lateral sides

- Offers complete frontal and lateral protection against ionizing radiation
- Contains leaded lens on the sides for additional protection
- Comes with removable fabric based straps to keep eyewear in place
- Fits Medium to Large faces



Lead Equivalence:

Front - 0.75 mm Pb
Side - 0.50mmPb

Colors



Classic Havana Amber



Classic Havana Honey



Obsidian Black

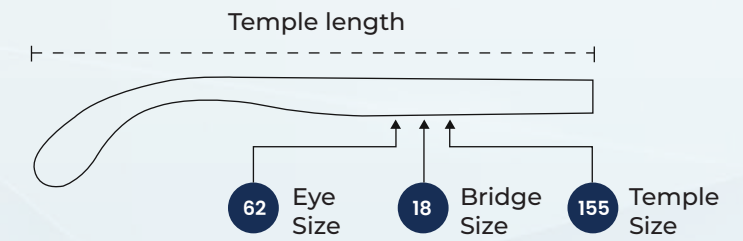
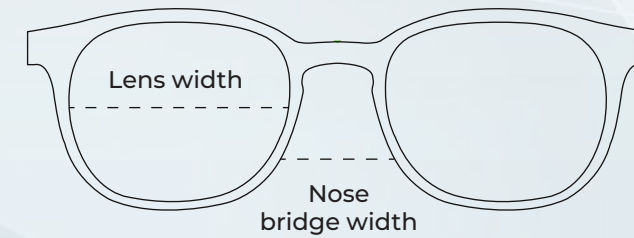
Weight:

30g (Only Frame)
78g (Frame + Lens)

Fit Over

Fits perfectly over the wearer's existing eyeglasses

- Offers a comfortable, lightweight, and durable design that fits over prescription eyewear
- This Frame fits over almost any style of glasses and head size with comfort
- Frame material: TR90



Lead Equivalence:

Front - 0.75 mm Pb
Side - 0.50mmPb

Colors



Obsidian Black

Weight:

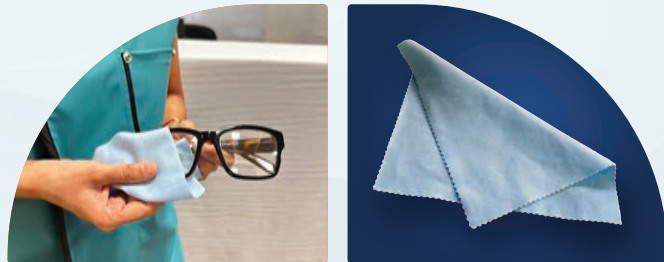
30g (Only Frame)
85g (Frame + Lens)

WHAT DOES YOUR PACKAGE INCLUDE?

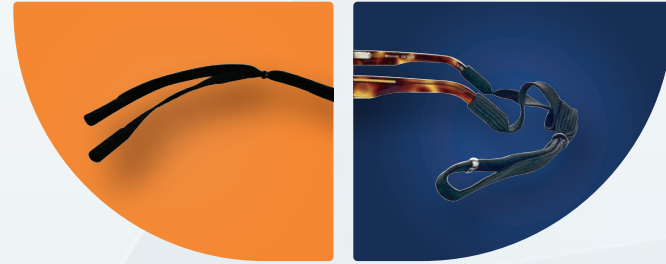
Eyewear Case



Microfiber Cloth



Adjustable Strap



Eyewear Cover



CUSTOMIZATION OPTIONS

Eyewear Temple



Brand Logo on:

Eyewear Cover



Eyewear Case

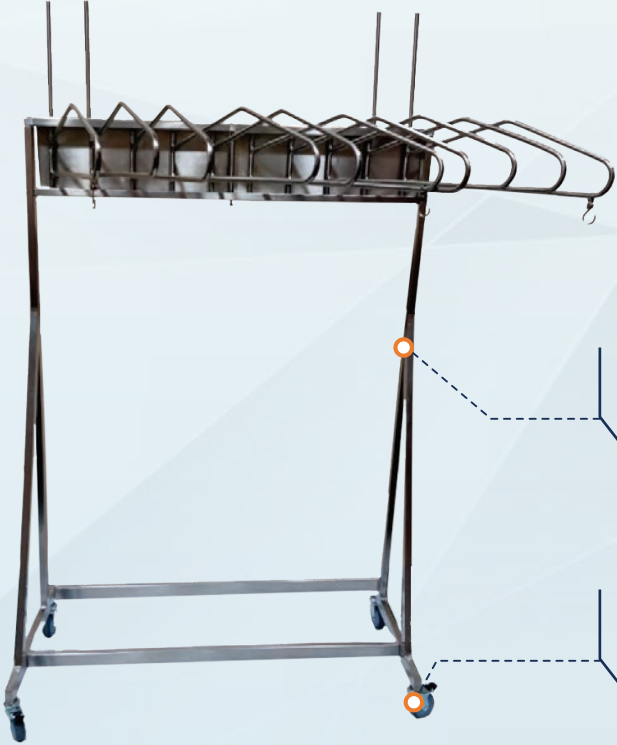




Storage Systems

Mobile Storage System with Hangers

A Compact, Space saving and easy to install unit for storing apparels, gloves and shields.

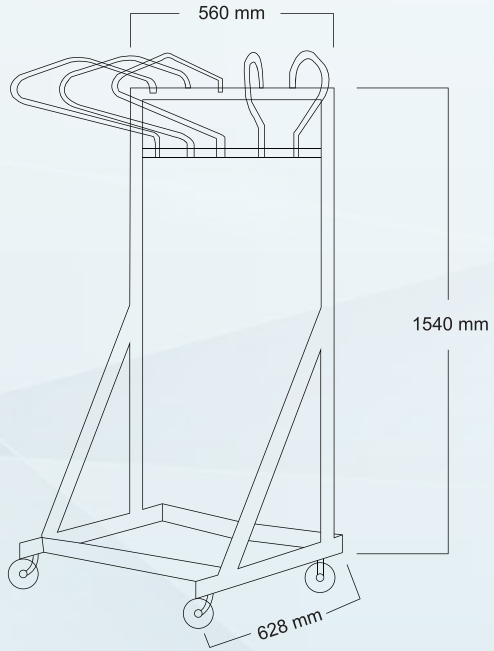


Mobile Storage System

- 10 Hangers
- 2 Gloves Holders

Mobile Storage System

- 10 Hangers
- 2 Gloves Holders

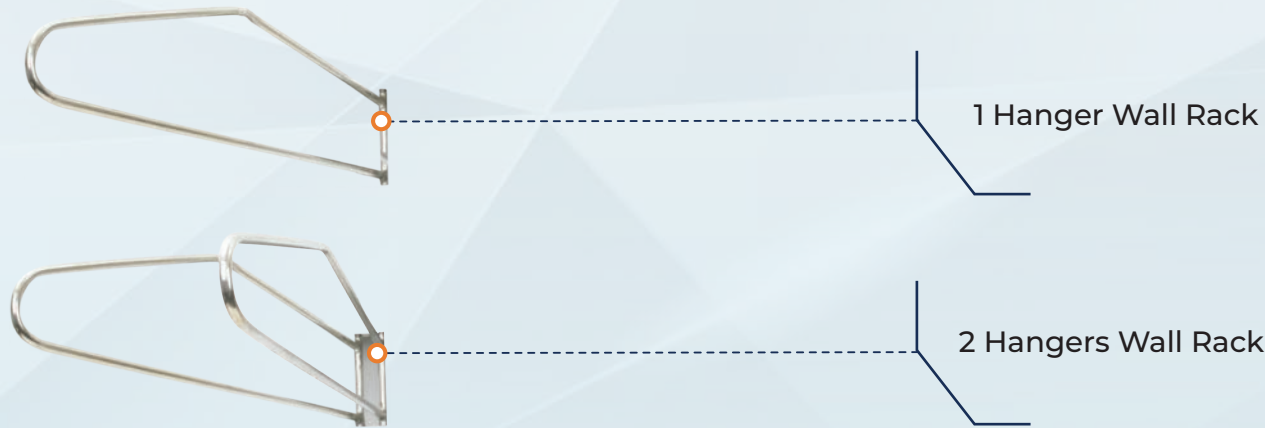
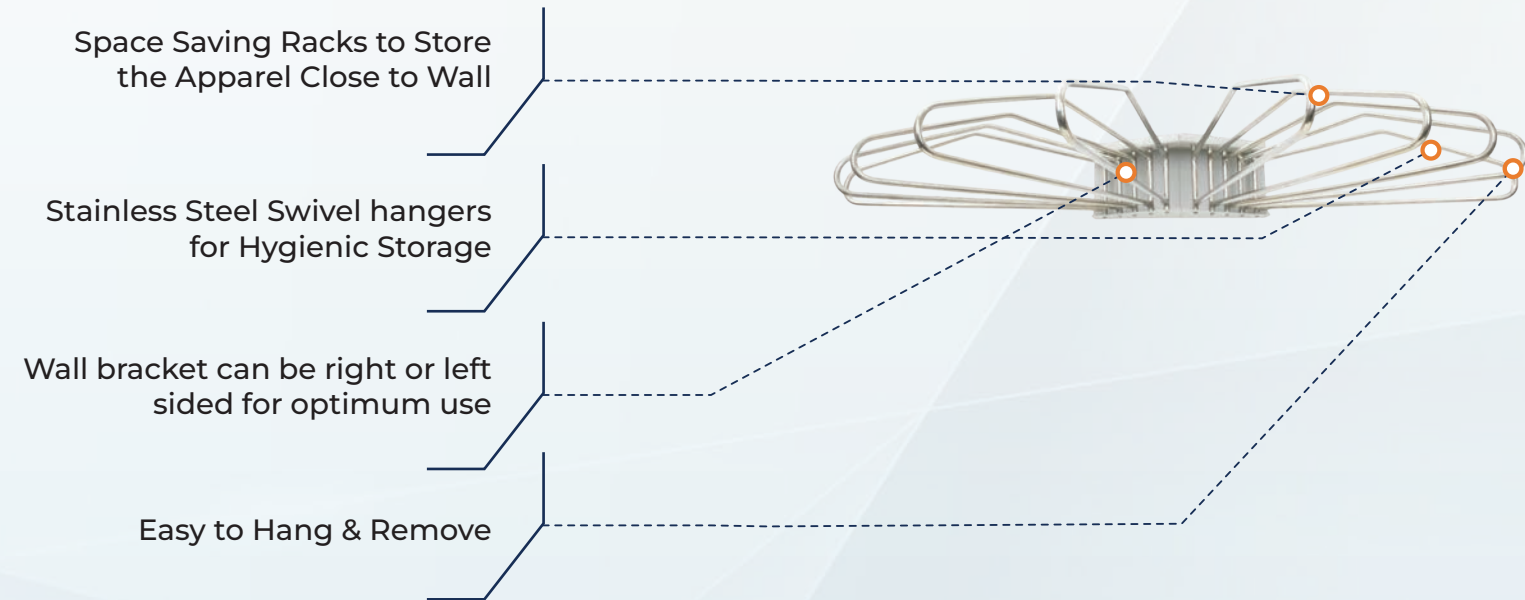


AVAILABLE MODELS

- **10 Hangers & 2 Gloves Holders:** Stores upto 10 pairs of apparel
- **5 Hangers & 1 Gloves Holders:** Stores upto 10 pairs of apparel

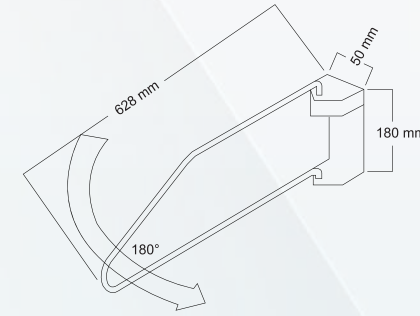
Wall Mounted Racks

A compact space saving and easy to install Wall Racks for storing apparel, gloves & shields.



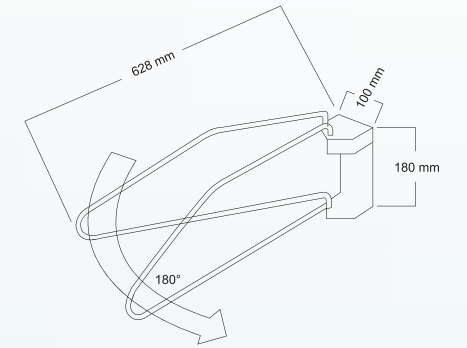
AVAILABLE MODELS

- Wall racks with 1,2,3 & 5 Hanger Options
- Hooks are available for fixing on wall racks



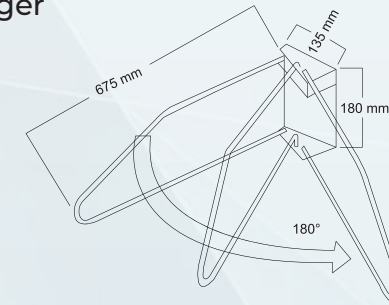
One hanger wall rack (left to right)

- Stores the apparel closest to the wall
- Available with one swivel hanger



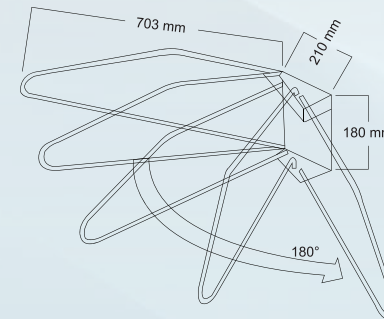
Two hangers wall rack (left to right)

- Wall bracket flush on the left or right for storing two apparel
- Optimum use of available space



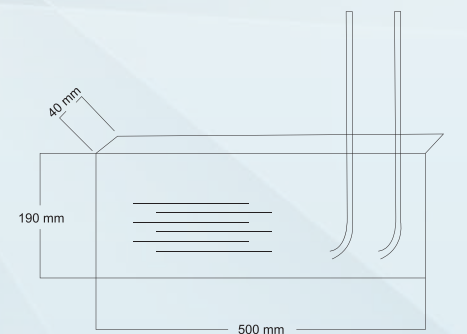
Three hangers wall rack (left to right)

- Wall bracket flush on the left or right for storing three apparel
- Optimum use of available space



Five hangers wall rack (left to right)

- Wall bracket flush on the left or right for storing three apparel
- Optimum use of available space



Wall mounted glove holder

- Wall mounted glove holder for storing gloves
- Optimum use of available space

APPAREL SIZING CHART

FLEXBACK APRON



Size	User measurements		Apron measurements
	Girth	Height	Width x Length
S	30"-34"	5'2"-5'6"	22" x 35"
M	34"-38"	5'6"-5'10"	24" x 35"
L	38"-42"	5'10"-6'1"	26" x 39"
XL	42"-46"	6'1"-6'4"	28" x 43"
XXL	46">	6'4">	30" x 45"

APPAREL SIZING CHART

SKIRT & VEST



Note:

- Girth is the largest measurement out of A(Chest), B(Waist) & C (Hips)
- For a more comfortable and relaxed fit, please select one size larger than your usual choice
- For a sleeker and more tailored fit, please select one size smaller than your usual choice

Size	User measurements		Apron measurements	
	Girth	Height	Skirt Length	Vest Width x Length
S	30"-35"	5'2"-5'6"	20"	20" x 20"
M	35"-40"	5'6"-5'10"	21"	22" x 23"
L	40"-45"	5'10"-6'1"	21"	24" x 23"
XL	45"-50"	6'1"-6'4"	22"	28" x 25"



Why choose Kennedy Radiology?



**Manufacturing
Experience**



**High Quality,
Reliable Products**



**First Rate
Raw Materials**



**Industry Accreditations
& Safety Standards**



**Manufactured and Serviced
in Scottsboro, Alabama**



Kennedy Radiology

Address: 11665 AL-79, Scottsboro, AL 35768, United States

Email: sales@kennedyradiology.com | www.kennedyradiology.us

Contact Number: +1 256 259 4436

Connect with us



Kennedy Radiology



kennedy-radiology



Kennedy_Imaging



kennedyradiology

The Kennedy Commitment

To innovate, produce and supply top-notch radiation safety products
and provide round-the-clock support to our customers

Who Are We?

David R. Kennedy, a NASA engineer, was working on the Saturn Rocket Project at the Space Technology Center in Huntsville, Alabama when he conceptualized the idea of manufacturing an innovative range of acoustic barriers. In 1976, he established the Kennedy Company with the objective of becoming the leading manufacturer of mass-loaded vinyl barriers. A couple of decades later, they started manufacturing X-Ray Shielding Materials, cementing Kennedy's position as a producer of high-quality materials.

Building on their legacy of innovation, Kennedy has since evolved into Kennedy Radiology - a distinguished American brand specializing in manufacturing premium Radiation Safety Products at their factory in Scottsboro, Alabama.